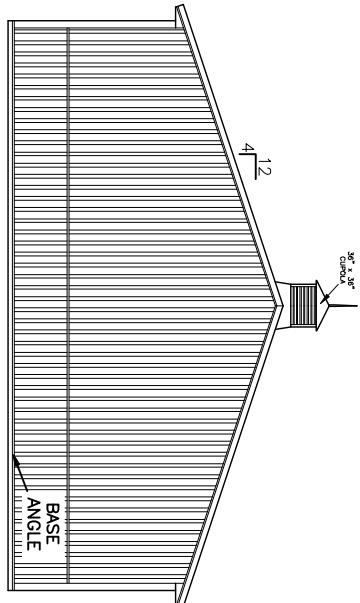
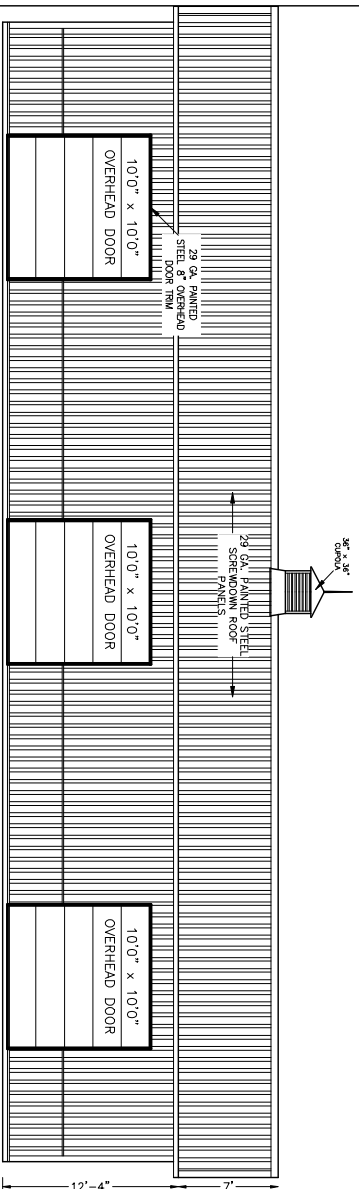


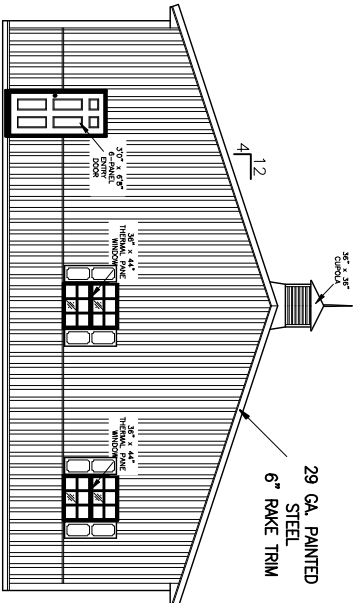
**BACK SIDEWALL**  
SCALE: 3/32" = 1'0"



**LEFT ENDWALL**  
SCALE: 3/32" = 1'0"



**FRONT SIDEWALL**  
SCALE: 3/32" = 1'0"



**RIGHT ENDWALL**  
SCALE: 3/32" = 1'0"

SEAL

**POLE BUILDINGS**  
**SHIRK LLC**

111 EAST BLACK CREEK EAST EARL, PA 17519  
717-445-6888 FAX 717-445-3001

ALL INFORMATION SHOWN ON DRAWING IS THE PROPERTY OF SHIRK POLE BUILDINGS LLC. THE DRAWING MAY NOT BE COPIED WITHOUT PERMISSION. PERMISSION IS NOT GRANTED TO ANY OTHER PERSON RESPONSIBLE TO VERIFY ALL DIMENSIONS AND CONDITIONS SHOWN PRIOR TO CONSTRUCTION AND TO OBTAIN A TRUE AND CORRECT SITE PLAN.

SPE. REVIEW DRAWN BY  
A. SHIRK  
CHECKED BY

REVISIONS

NO.	DESCRIPTION

DATE: \_\_\_\_\_  
ELEVATIONS

A.2